

Accessories

Overview	480
FSB Stabil-spindle	481
FSB Stabil-half-spindle	482
Accessories Stabil-spindle	484
FSB Special spindle	485
Accessories	486
Screws	488

Overview



Page 482



Page 482



Page 483



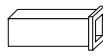
Page 484



Page 484



Page 484



Page 486



Page 487



Page 487



Page 485



Page 486



Page 486



Page 488



Page 487

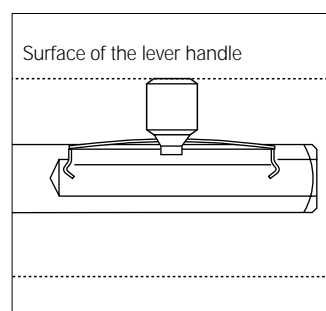
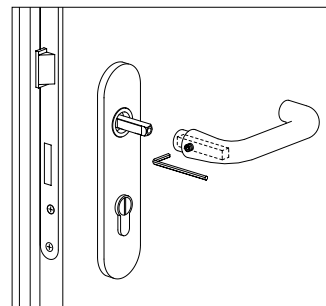


Page 487

FSB Stabil-spindle

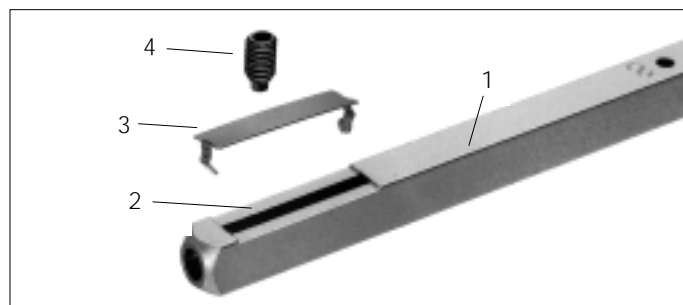


The FSB Stabil-spindle carries on from where its predecessors - the FSB Screw- and the FSB Anker-spindle - left off. New is a spring loaded tolerance compensator pierced by the grub screw when fastened.



Features

1. Solid square-section construction
2. Fastening for anchor clamp
3. Anchor clamp with pre-stress springing
4. Grub screw with piercing punch



The FSB stock range serves the following door thicknesses:

- 36 to 45 mm with the 8 mm FSB Stabil-spindle
- 66 to 75 mm with the 10 mm FSB Stabil-spindle

To this stock range all lengths of accessory parts are adapted. Hardware can be precision customised for other door or spindle thicknesses, with accessories to match.

Assembly instructions:

Pass the spindle with the male lever or male knob handle through the lock follower. The female lever or female knob handle is fitted to the spindle and the two parts pushed together securely.

The grub screw in the neck of the female lever or female knob handle is tightened and the handles are checked several times to ensure perfect operation. The grub screw should now be further firmly tightened until it pierces the spindle clamping clip. Visible sign for correctly mounted furniture: The head of the screw is flush with the handle's neck.

Check the fit by turning, pushing and pulling the handle a number of times.

FSB Stabil-half-spindle

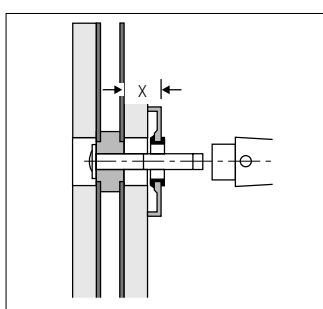


FSB Stabil-half-spindle
for through fixing

Dimension X

0103 0808 8 x 55 mm, 15 to 24 mm
0103 0812 8 x 65 mm, 25 to 34 mm
0103 0816 8 x 75 mm, 35 to 44 mm

0103 0908 9 x 55 mm, 15 to 24 mm
0103 0912 9 x 65 mm, 25 to 34 mm
0103 0916 9 x 75 mm, 35 to 44 mm



0103 1008 10 x 55 mm, 15 to 24 mm
0103 1012 10 x 65 mm, 25 to 34 mm
0103 1016 10 x 75 mm, 35 to 44 mm

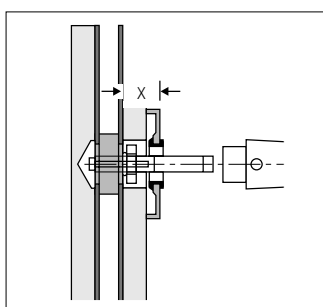


FSB Stabil-half-spindle
for doors drilled on one side

Dimension X

0104 0810 8 x 60 mm, 22,5 to 31,5 mm
0104 0814 8 x 70 mm, 32,5 to 41,5 mm
0104 0818 8 x 80 mm, 42,5 to 51,5 mm

0104 0910 9 x 60 mm, 22,5 to 31,5 mm
0104 0914 9 x 70 mm, 32,5 to 41,5 mm
0104 0918 9 x 80 mm, 42,5 to 51,5 mm



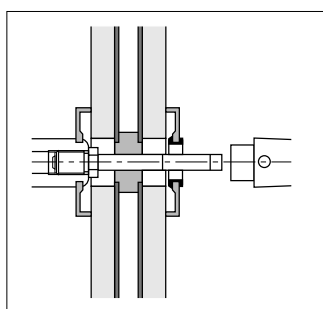
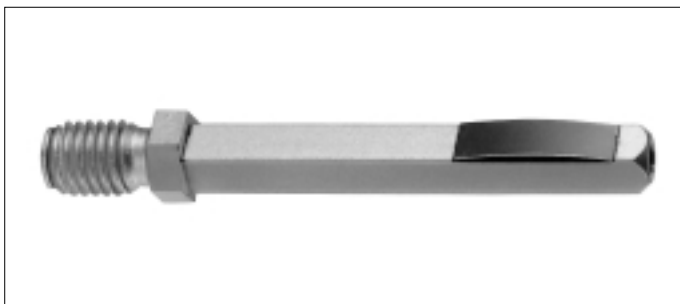
0104 1010 10 x 60 mm, 22,5 to 31,5 mm
0104 1014 10 x 70 mm, 32,5 to 41,5 mm
0104 1018 10 x 80 mm, 42,5 to 51,5 mm

0106 1012 8/10 x 65 mm, 27,0 to 36,0 mm*
0106 1014 8/10 x 70 mm, 32,5 to 41,5 mm*
0106 1018 8/10 x 80 mm, 42,5 to 51,5 mm*

*stepped, 8 mm lever handle hole / 10 mm follower

In choosing the correct FSB Stabil-half-spindle, one can use the measurement of X as an aid. The measurement of X is the distance between the outer rim of the bushing of the backplates or roses and the lock follower.

FSB Stabil-half-spindle



FSB Stabil-half-spindle
with plug for screw mounting in knob neck, lever operable

for door thickness

0177 0820	8 x 85 mm, 36 to 45 mm
0177 0824	8 x 95 mm, 46 to 55 mm
0177 0828	8 x 105 mm, 56 to 65 mm
0177 0832	8 x 115 mm, 66 to 75 mm
0177 0836	8 x 125 mm, 76 to 85 mm
0177 0840	8 x 135 mm, 86 to 95 mm
0177 0844	8 x 145 mm, 96 to 105 mm

0177 0920	9 x 85 mm, 36 to 45 mm
0177 0924	9 x 95 mm, 46 to 55 mm
0177 0928	9 x 105 mm, 56 to 65 mm
0177 0932	9 x 115 mm, 66 to 75 mm
0177 0936	9 x 125 mm, 76 to 85 mm
0177 0940	9 x 135 mm, 86 to 95 mm
0177 0944	9 x 145 mm, 96 to 105 mm

0177 1020	10 x 85 mm, 36 to 45 mm
0177 1024	10 x 95 mm, 46 to 55 mm
0177 1028	10 x 105 mm, 56 to 65 mm
0177 1032	10 x 115 mm, 66 to 75 mm
0177 1036	10 x 125 mm, 76 to 85 mm
0177 1040	10 x 135 mm, 86 to 95 mm
0177 1044	10 x 145 mm, 96 to 105 mm

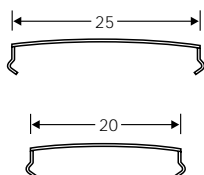
0107 1020	8/10 x 85 mm, 36 to 45 mm*
0107 1024	8/10 x 95 mm, 46 to 55 mm*
0107 1028	8/10 x 105 mm, 56 to 65 mm*
0107 1032	8/10 x 115 mm, 66 to 75 mm*
0107 1036	8/10 x 125 mm, 76 to 85 mm*
0107 1040	8/10 x 135 mm, 86 to 95 mm*
0107 1044	8/10 x 145 mm, 96 to 105 mm*

*stepped, 8 mm lever handle hole / 10 mm follower

The door thickness given for the FSB Stabil-half-spindle with plug assumes a backplate or rose thickness of 7 mm.

FSB supplies its office, fire-check and security furniture with FSB Stabil-half-spindle included, spindle and screw length being adjusted to the thickness of a given door.

Accessories Stabil-spindle

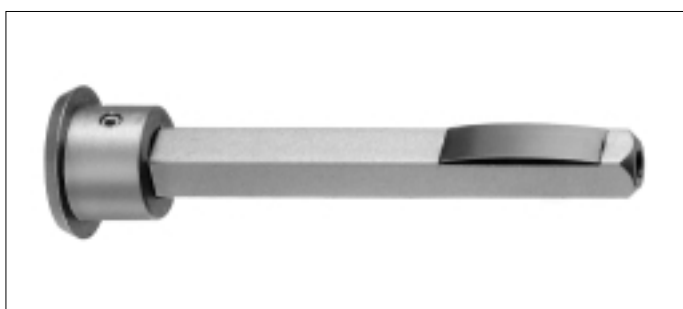


Anchor clamp spring

0406 2508 25 mm
0406 2008 20 mm

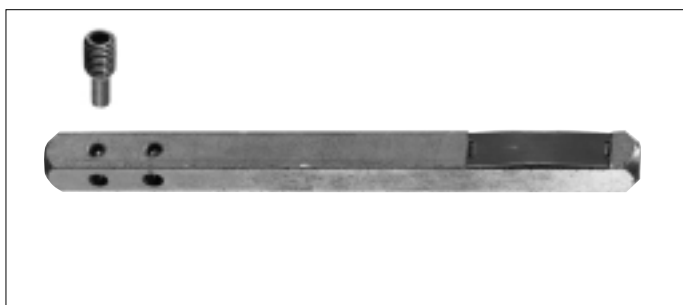
Grub screw with piercing punch

0402 0601 M6 x 8 mm
0402 0602 M6 x 9 mm
0402 0603 M6 x 10.5 mm
0402 0604 M6 x 11.5 mm



FSB Stabil-blind-spindle

0442 50 8 x 80 mm, suitable for door thickness 36 to 45 mm



FSB Special-stabil-spindle as a provisional device for lever handle sets comprising two female handles

0102 0826 8 x 100 mm, suitable f. door thickness 36 to 55 mm
0102 0834 8 x 120 mm, suitable f. door thickness 56 to 75 mm
0102 0842 8 x 140 mm, suitable f. door thickness 76 to 95 mm

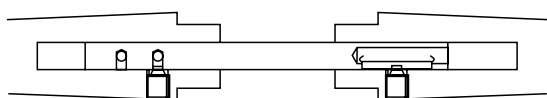
0102 0926 9 x 100 mm, suitable f. door thickness 36 to 55 mm
0102 0934 9 x 120 mm, suitable f. door thickness 56 to 75 mm
0102 0942 9 x 140 mm, suitable f. door thickness 76 to 95 mm

0102 1026 10 x 100 mm, suitable f. door thickness 36 to 55 mm
0102 1034 10 x 120 mm, suitable f. door thickness 56 to 75 mm
0102 1042 10 x 140 mm, suitable f. door thickness 76 to 95 mm

0404 threaded bolt M6 x 12 mm with pin

Female part of lever with threaded bolt 404

Female part of lever with grub screw 0402



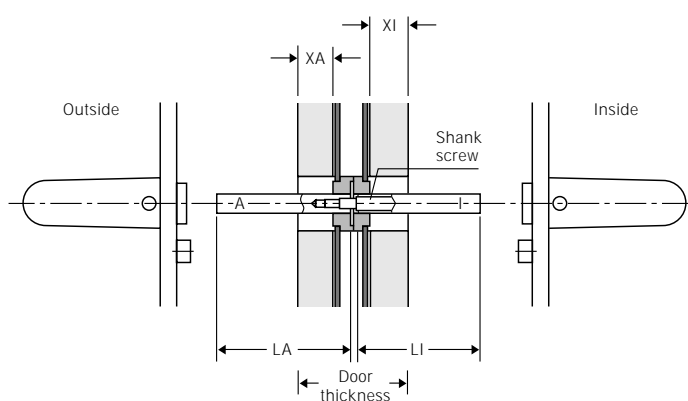
Where it is intended to form a set out of two female handle parts, the first step involves constructing a male handle using the FSB Stabil-spindle and the special threaded bolt with pin that goes with it. To produce this spindle-and-handle unit,

the grub screw must engage fully in the spindle-boreholes leaving the screw head flush with the surface of the handle. Thereafter assembly is as for the FSB Stabil-spindle in standard use.

The door thickness given for the FSB special Stabil-spindle assumes a backplate or rose thickness of 7 mm.

FSB Special spindle

0125



FSB lever handle spindle for split follower, item no. 0125

An equally proven FSB special spindle of 9 mm square section, item no. 0125, is available for locks with split follower. It suits door thicknesses from 34 mm to 101 mm.

When ordering, please specify:
Door thickness
Dimensions XA and XI
Item no. of FSB furniture

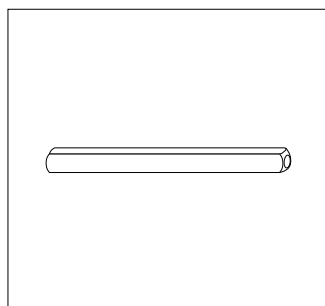
When deploying the FSB spindle for locks with a split follower, it is important not only to heed building regulations but also to bear in mind that panic fittings (lock, cylinder, spindle, handles etc.) are intended solely for use in an emergency and should never be fitted to doors in constant operation. FSB would draw your attention to the recommendations and observations of the lock industry in this respect.

Fixing instructions

1. From the outside insert spindle section A into the lock follower.
2. From the inside insert spindle section I into the lock follower and screw the two spindle sections together by means of the shank screw on the coupling washer.
3. Place the turnably fixed lever handles together with the backplates or roses on the spindles.
4. It should be ensured that there is no play between the plates or roses and the doors. The slightest slackness can lead to the connection in the lock follower being ruptured due to the forces exerted in operating the door.
5. Finally, firmly tighten the cup points on the two lever handles against the spindle. Heads of screws must be flush with the surface of the handle.

Accessories

Stabil-spindle



Solid □-spindles 8 mm

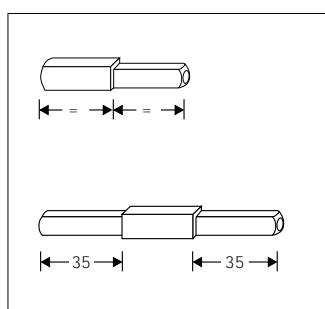
0172 0810 8 x 60 mm
 0172 0814 8 x 70 mm
 0172 0818 8 x 80 mm
 0172 0822 8 x 90 mm

Solid □-spindles 8 mm

0172 0826 8 x 100 mm
 0172 0830 8 x 110 mm
 0172 0834 8 x 120 mm
 0172 0838 8 x 130 mm
 0172 0842 8 x 140 mm
 0172 0846 8 x 150 mm
 0172 0850 8 x 160 mm

Solid □-spindles 9 mm

0173 0910 9 x 60 mm
 0173 0918 9 x 80 mm
 0173 0926 9 x 100 mm
 0173 0934 9 x 120 mm
 0173 0938 9 x 130 mm
 0173 0942 9 x 140 mm
 0173 0946 9 x 150 mm
 0173 0950 9 x 160 mm



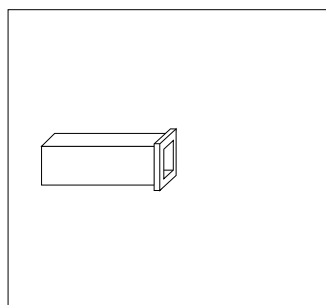
Stepped spindles one side

0188 0910 9/8 x 60 mm
 0188 0916 9/8 x 75 mm
 0188 0934 9/8 x 120 mm

0189 1010 10/8 x 60 mm
 0189 1016 10/8 x 75 mm
 0189 1018 10/8 x 80 mm
 0189 1026 10/8 x 100 mm
 0189 1030 10/8 x 110 mm

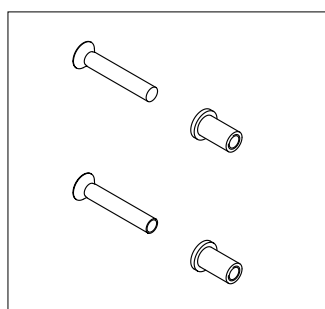
Stepped spindles both sides

0183 0926 8/9/8 x 100 mm
 0183 0934 8/9/8 x 120 mm
 0184 1026 8/10/8 x 100 mm
 0184 1030 8/10/8 x 110 mm
 0184 1034 8/10/8 x 120 mm
 0184 1038 8/10/8 x 130 mm
 0184 1042 8/10/8 x 140 mm



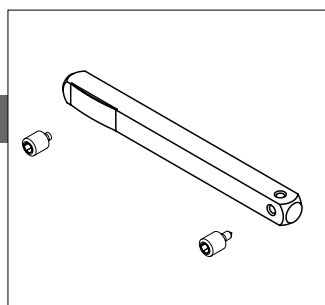
Adaptor sleeve
 for lever handles/spindles/
 lock follower

0425 0809 8 on 9 mm
 0425 0810 8 on 10 mm
 0425 0910 9 on 10 mm
 0425 0885 8 on 8,5 mm



Fixing accessories for
 frame door furniture

Screws M5 x 25 mm and
 rivet nuts
 Item no. 0526



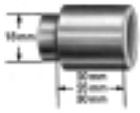
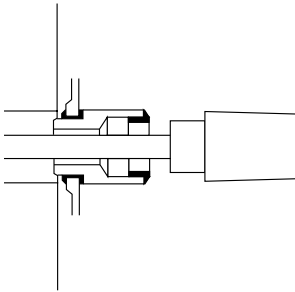

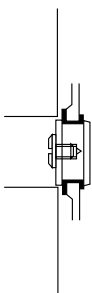


8(9) mm spindles
 (suitable to FSB adaptor-solution)

Door thickness	Spindle-length	Accessorie-bag
38 - 47 mm	88 mm	0525 08(9)03
48 - 57 mm	98 mm	0525 08(9)04
58 - 67 mm	108 mm	0525 08(9)05
68 - 77 mm	118 mm	0525 08(9)06
78 - 87 mm	128 mm	0525 08(9)07
88 - 97 mm	138 mm	0525 08(9)08
98 - 107 mm	148 mm	0525 08(9)09


8(9) mm spindles (suitable to all other lever handles for framed doors)

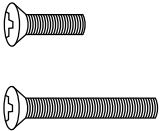
Door thickness	Spindle-length	Accessorie-bag
35 - 44 mm	98 mm	0525 18(9)04
45 - 54 mm	108 mm	0525 18(9)05
55 - 64 mm	118 mm	0525 18(9)06
65 - 74 mm	128 mm	0525 18(9)07
75 - 84 mm	138 mm	0525 18(9)08
85 - 94 mm	148 mm	0525 18(9)09
95 - 104 mm	158 mm	0525 18(9)10

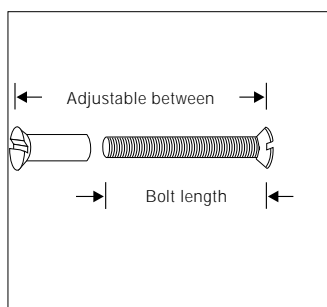
Accessories

		<p>Lever handle distance rose to increase the distance between door and lever handle</p> <p>Aluminium</p> <table border="0"> <tr> <td>0440 20</td> <td>20 mm</td> </tr> <tr> <td>0440 25</td> <td>25 mm</td> </tr> <tr> <td>0440 30</td> <td>30 mm</td> </tr> </table>	0440 20	20 mm	0440 25	25 mm	0440 30	30 mm
0440 20	20 mm							
0440 25	25 mm							
0440 30	30 mm							
		<p>Blind rose to blank out the lever handle hole on backplates</p> <p>Aluminium</p> <p>0441</p>						
		<p>FSB socket spanner for half spindles for doors drilled from one side</p> <p>0410 00</p>						
	<p>Hexagonal key with handle item no. 0415</p> <p>Width over flats 3.0 for FSB lever and pull handles</p>	<p>Hexagonal key without handle item no. 0416</p> <p>Width over flats 2.5 for FSB 3244 and 4346</p> <p>Width over flats 3.0 for FSB lever handles and pull handles</p> <p>Width over flats 4.0 suitable to FSB security furniture:</p> <ul style="list-style-type: none"> - Version with long backplate: intermediate fixing point - Version with short backplate: all fixing points <p>and also the FSB emergency release on bathroom furniture</p> <p>Width over flats 5.0 for the top and base fixing point of FSB security furnitures with long backplate</p>						

Screws

	<p>Cross recessed tapping screw with countersunk head</p> <p>0315</p> <p>2,9 x 16 mm 3,9 x 16 mm 4,2 x 19 mm</p>
---	--

	<p>Cross recessed raised countersunk oval head bolt</p> <p>0303 0515 M5 x 15 mm</p> <p>0303 0535 M5 x 35 mm</p>
---	---



Bolts with 4 mm threaded sleeve nut 0309

Size	Bolt length	Adjustable between	for door thickness
M4 x 35	35 mm	37 - 45 mm	25 - 33 mm
M4 x 40	40 mm	42 - 50 mm	30 - 38 mm
M4 x 45	45 mm	47 - 55 mm	35 - 43 mm
M4 x 50	50 mm	52 - 60 mm	40 - 48 mm
M4 x 55	55 mm	57 - 65 mm	45 - 53 mm
M4 x 60	60 mm	62 - 70 mm	50 - 58 mm

Finishes of products

- Aluminium 01, 02
- Aluminium 03, 04, 07
- Stainless steel
- Brass
- Aluminium + colour

Finishes of screws

- N.P. on brass
- Brass, lacquered to match
- Satin stainless steel
- Brass, coloured to match
- Brass, lacquered to match