

Furniture for main entrance doors

The architectural hardware sector - including FSB - has for decades been marketing a veritable plethora of custom fittings for main entrance doors, to wit door knobs, door pulls, armoured roses and security furniture in all materials and all manner of designs. You'd think the market had been sated.

Not a bit of it though. An article in the supplement to the weekly newspaper DIE ZEIT of 31 March 1995 observes: 'Same doors, handles, conservatories, carports everywhere. Be it in Munich or Münster, Darmstadt or Stuttgart, owner-occupiers are a force for uniformity in their unitary housing.'

But help is at hand for our beleaguered author. FSB commissioned its in-house designer Hartmut Weise to come up with some new ideas for main entrance doors. Hartmut Weise already presented four design conceptions for the penultimate Manual. Two more followed for the last Manual.

The first four handles for main entrance doors by Hartmut Weise retain the distinctive axially slanted grip from his 1995 pull-handle collection, but forego the droplet-shaped cross section in favour of an elliptical form.

Mr. Weise was intent on ensuring that the hand would be able to exert the necessary force despite the vertical styling.

These handles are available in silver anodised or colour-coated aluminium and in stainless steel. They are through-fixed by means of 6 mm bolts that fasten onto a rugged backplate on the inside.

The internal backplate also acts as a bearing for the lever handle. The fancy coverplate on the inside can be supplied in either aluminium, colour-coated aluminium, stainless steel or brass.

Two further main-door pull handles by Hartmut Weise incorporate a design idea from the 50's. At that time, any number of doors were adorned with sinuous extruded handles. Refining this seasoned style gave rise to an integrated pull handle/backplate design.

In this case, too, handles are through fixed using 6mm bolts that engage in a heavy-duty backplate on the inside. The latter additionally supports the lever handle and its bushing.

These two designs are exclusively available in aluminium. A matching aluminium lever handle and coverplate have been selected for the inside. If so desired, however, the internal furniture may be made of stainless steel, brass or colour-coated aluminium.

This comprehensive new package is augmented by pull, knob and lever handle furniture on oval and angular narrow-frame backplates, pull-handle furniture with a selection of fittings, and push/pull handles with armoured cylinders. Before ordering please always check that the situation allows for sufficient mortise depth as well as the necessary backset.

This proven standard range modestly takes second place in the Manual 02103, whence it can watch the interaction between innovation and tradition.

When fitting the new pulls for main entrance and entrance doors, FSB recommends reinforcing the cylinder by means of round, oval or angular armoured roses.

Lever handles

turnably fixed



1023 7000 0004

Aluminium
Stainless steel

10 mm □-hole

see page 24



1070 7000 0001

Aluminium
Stainless steel

10 mm □-hole

see page 40



1076 7000 0003

Aluminium
Stainless steel

10 mm □-hole

see page 44

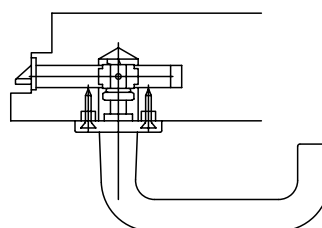


1146 7000 0002

Aluminium
Stainless steel

10 mm □-hole

see page 76



Single fixed lever handles for entrance doors incl. solid sub-roses.

Fixings with metal screws acc. to DIN 7982 (4.8 x 25 mm), FSB spindle 0104 necessary, see page 482.

Furniture for
main entrance doors



7871

Aluminium natural colour
anodised
Stainless steel

The order code covers external pull, screws and internal back-plate plus lever handle FSB 1025. You will additionally need to order an FSB Stabil-half-spindle for doors drilled from one side only (p. 482) and an FSB armoured rose (p. 400).

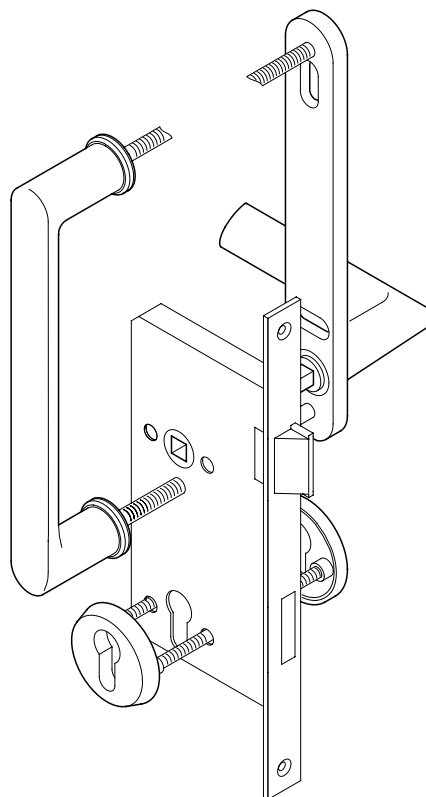
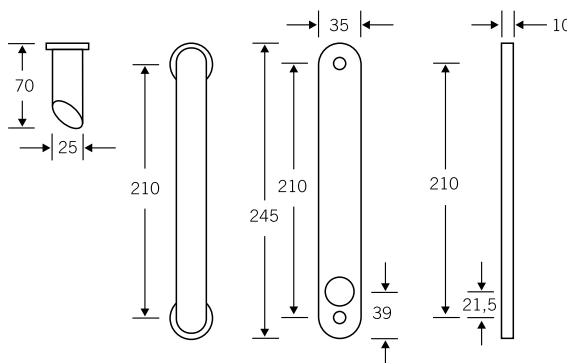


Illustration r.h.,
handing details cf. page 508ff.
Safety clearance 45 mm



Order details:

spindle thickness: 8 or 10 mm
door thickness . . . mm

7871 24 r.h.
7871 25 l.h.

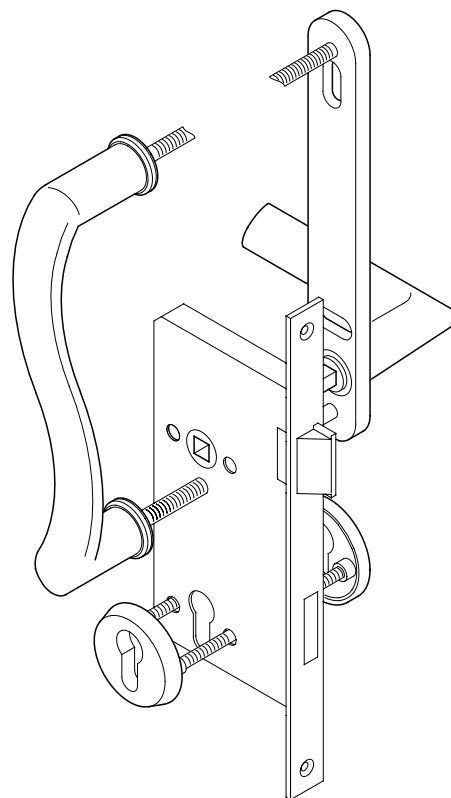
Furniture for
main entrance doors



7872

Aluminium natural colour
anodised
Stainless steel

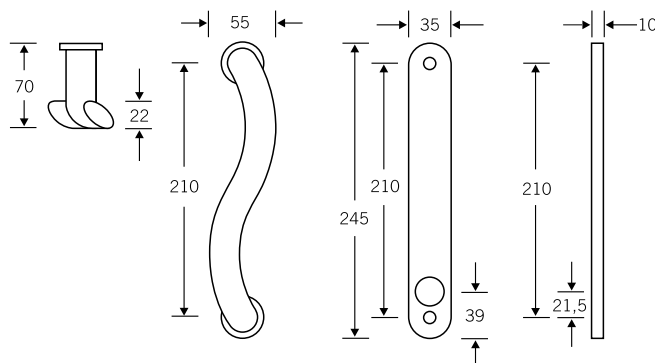
The order code covers external pull, screws and internal back-plate plus lever handle FSB 1028. You will additionally need to order an FSB Stabil-half-spindle for doors drilled from one side only (p. 482) and an FSB armoured rose (p. 400).



Design
Award
Winner
1999

Illustration r.h.,
handing details cf. page 508ff.
Safety clearance 60 mm

7



Order details:

spindle thickness: 8 or 10 mm
door thickness . . . mm

7872 24 r.h.
7872 25 l.h.

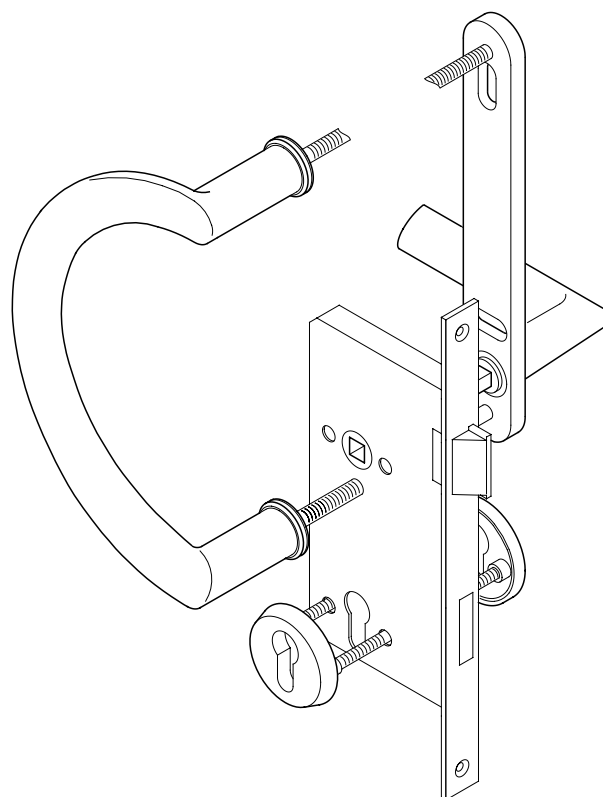
Furniture for
main entrance doors



7873

Aluminium natural colour
anodised
Stainless steel

The order code covers external pull, screws and internal back-plate plus lever handle FSB 1025. You will additionally need to order an FSB Stabil-half-spindle for doors drilled from one side only (p 482) and an FSB armoured rose (p. 400).

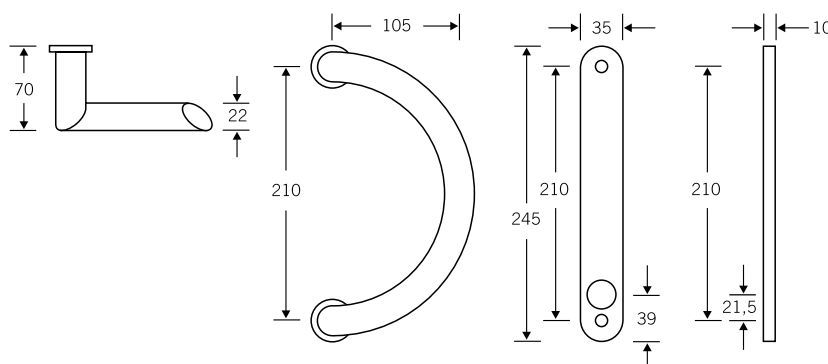


7



Design
Award
Winner
1999

Illustration r.h.,
handing details cf. page 508ff.
Safety clearance 48 mm



Order details:

spindle thickness: 8 or 10 mm
door thickness . . . mm

7873 24 r.h.
7873 25 l.h.

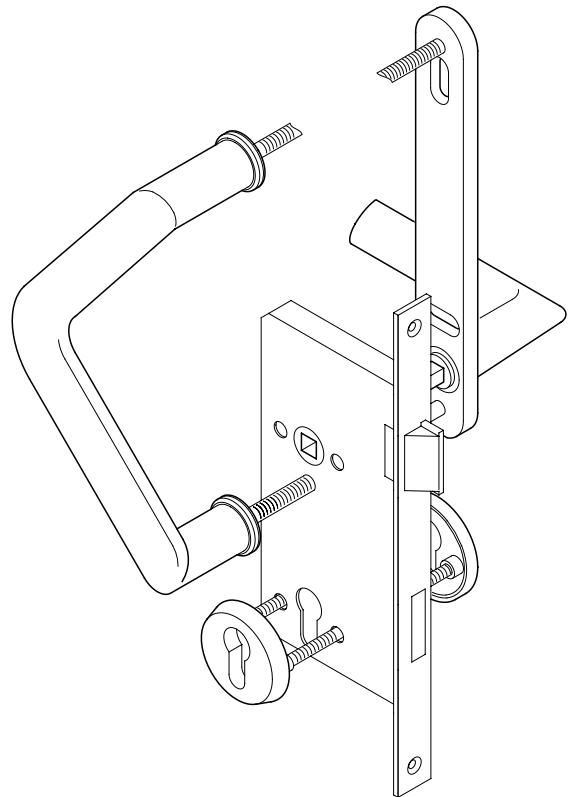
Furniture for
main entrance doors



7874

Aluminium natural colour
anodised
Stainless steel

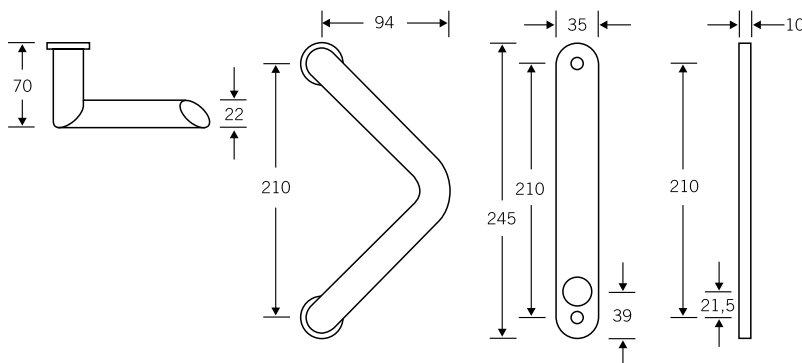
The order code covers external pull, screws and internal back-plate plus lever handle FSB 1025. You will additionally need to order an FSB Stabil-half-spindle for doors drilled from one side only (p. 482) and an FSB armoured rose (p. 400).



Design
Award
Winner
1999

Illustration r.h.,
handing details cf. page 508ff.
Safety clearance 48 mm

7



Order details:

spindle thickness: 8 or 10 mm
door thickness . . . mm

7874 24 r.h.
7874 25 l.h.

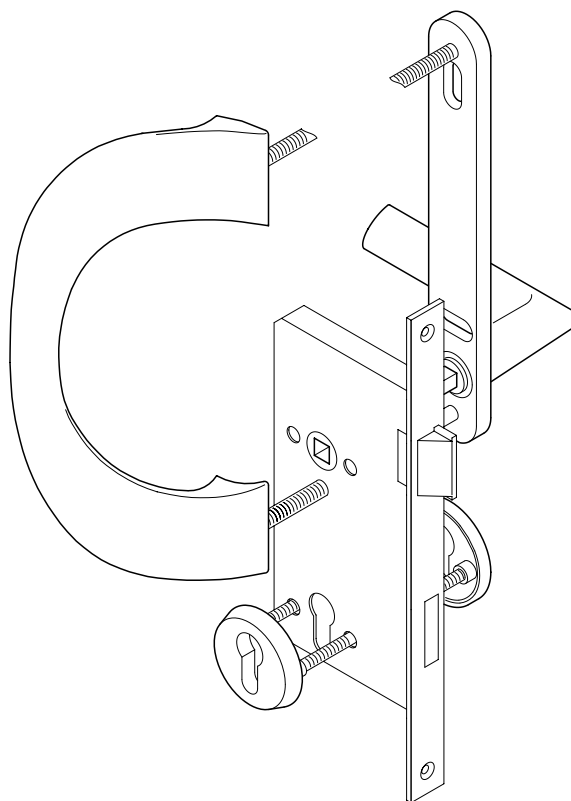
Furniture for
main entrance doors



7802

Aluminium natural colour
anodised

The order code covers external
pull, screws and internal back-
plate plus lever handle FSB
1010. You will additionally
need to order an FSB Stabil-
half-spindle for doors drilled
from one side only (p. 482)
and an FSB armoured rose
(p. 400).

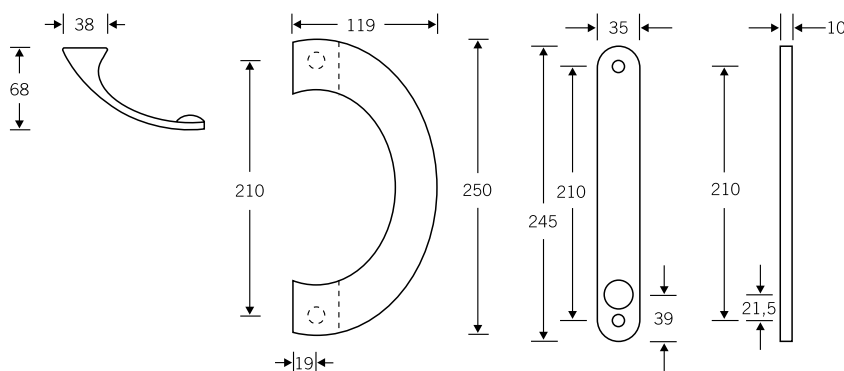


7



Design
Award
Winner
1999

Illustration r.h.,
handing details cf. page 508ff.
Safety clearance 48 mm



Order details:

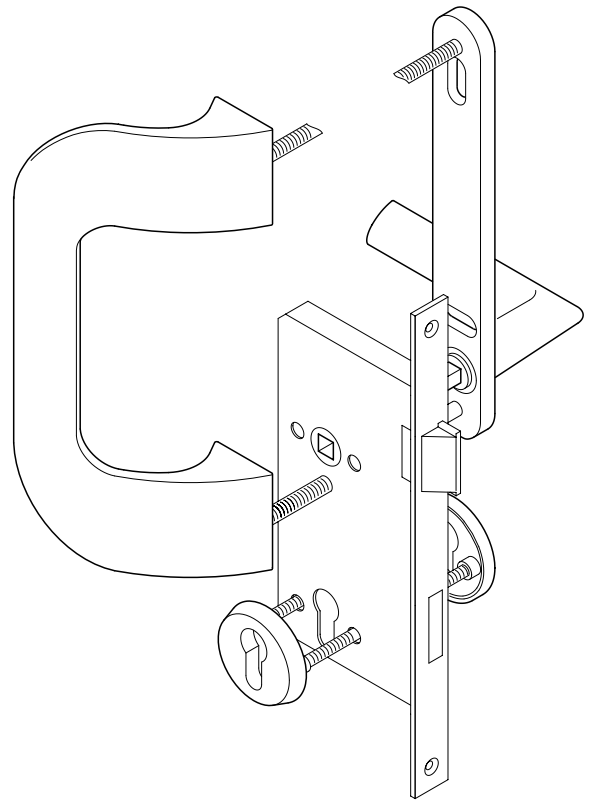
spindle thickness: 8 or 10 mm
door thickness mm

Furniture for
main entrance doors

7803

Aluminium natural colour
anodised

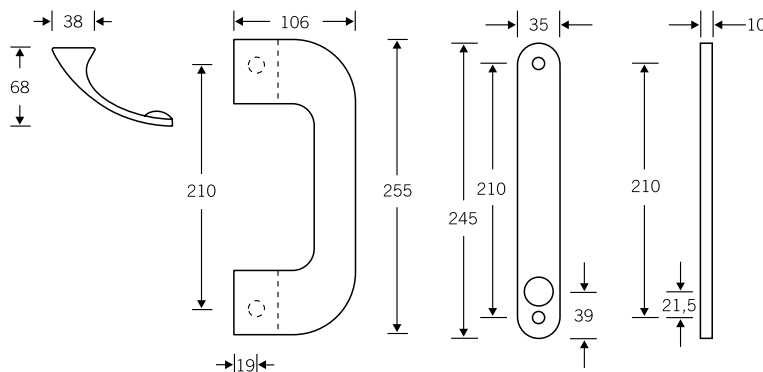
The order code covers external
pull, screws and internal back-
plate plus lever handle FSB
1108. You will additionally
need to order an FSB Stabil-
half-spindle for doors drilled
from one side only (p. 482)
and an FSB armoured rose
(p. 400).



Design
Award
Winner
1999

Illustration r.h.,
handing details cf. page 508ff.
Safety clearance 48 mm

7



Order details:

spindle thickness: 8 or 10 mm
door thickness mm

Grip handle furniture for framed doors
with concealed fixing



7816

Aluminium natural colour
anodised

7816 07 r.h.
7816 08 l.h.

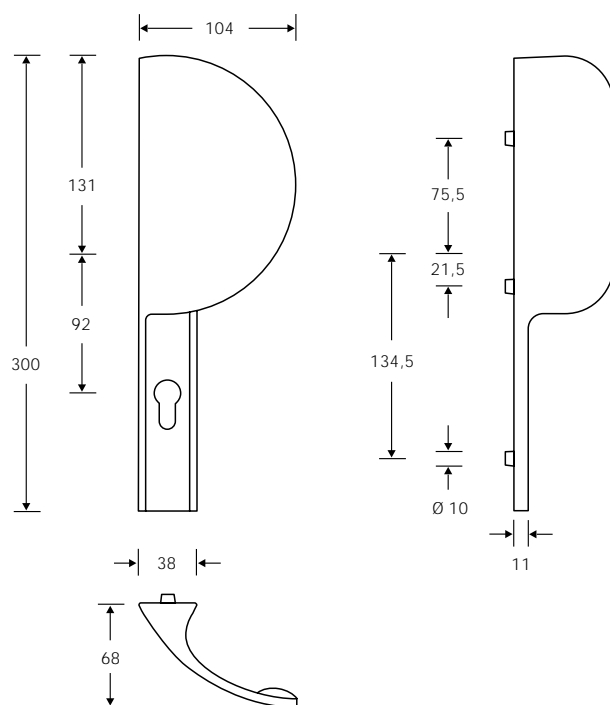
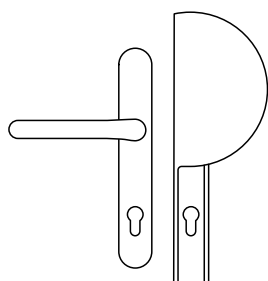


Illustration l.h., handing details
cf. page 508ff.

7

Item nos.:



7816 07 r.h.
7816 08 l.h.

Order details:

spindle thickness: 8 or 10 mm
door thickness mm

Grip handle furniture for framed doors
with concealed fixing

7816

Aluminium natural colour
anodised

7816 11 r.h.
7816 12 l.h.

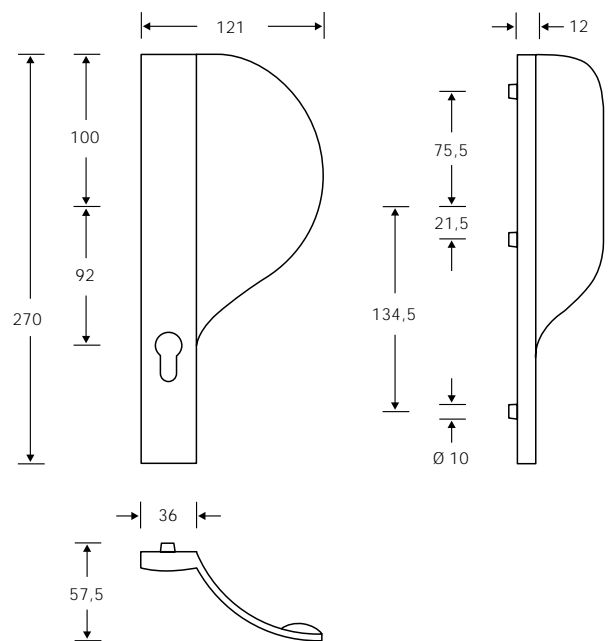
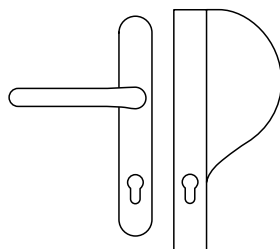


Illustration l.h., handing details
cf. page 508ff.

7

Item nos.:



7816 11 r.h.
7816 12 l.h.

Order details:

spindle thickness: 8 or 10 mm
door thickness mm

Lever handle for framed doors fixed on an oval backplate,
with concealed fixing
8 mm □-hole und support mechanism
9 mm □-hole for fire and smoke stop doors **F**

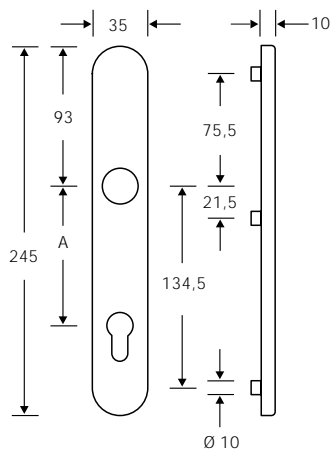
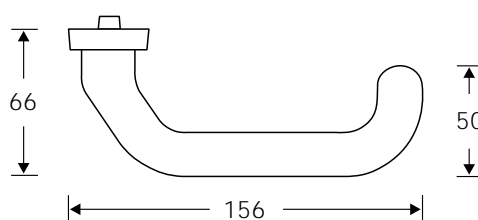


7816

Aluminium
Stainless steel
Alu + colour

7816 18 **F**

Aluminium
Stainless steel
Alu + colour

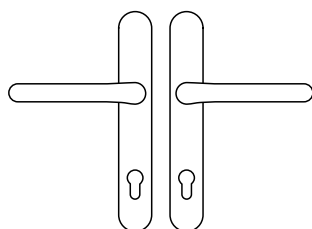


Order details:

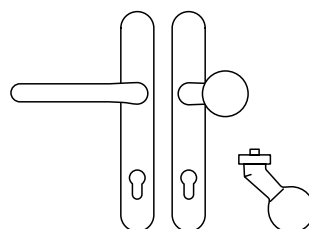
spindle thickness: 8 or 10 mm
9 mm **F** Standard
door thickness mm

Size A spacing 72 mm PZ
Size A spacing 92 mm PZ

Item nos.:

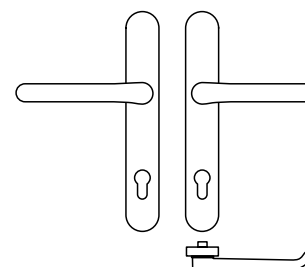


Standard fittings
Fire door fittings



Lever handle furniture
7816 01
7816 18

Entrance door furniture
7816 13

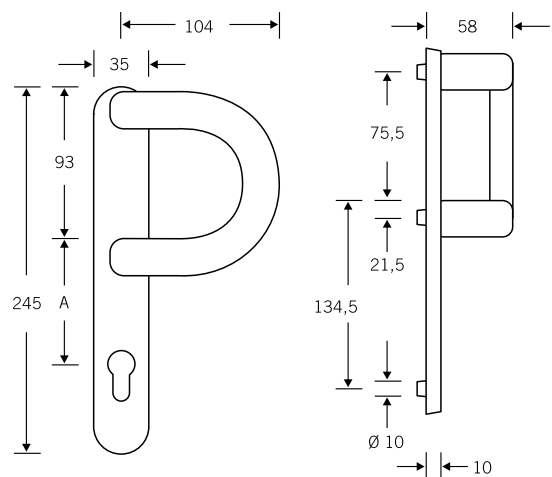


Balcony door furniture
7816 02

Grip handle furniture for framed doors
on an oval backplate, with concealed fixing
and support mechanism

7816 09

Aluminium natural colour
anodised
Alu + colour



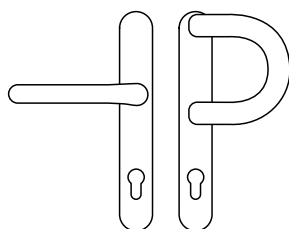
Order details:

spindle thickness: 8 or 10 mm
door thickness mm

Size A spacing 72 mm PZ
Size A spacing 92 mm PZ

7

Item no.:



Grip handle furniture
7816 09

Lever handle for framed doors fixed on an angular backplate, concealed fixing on one side



7820

Aluminium
Alu + colour

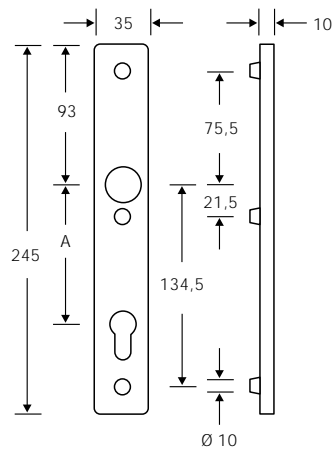
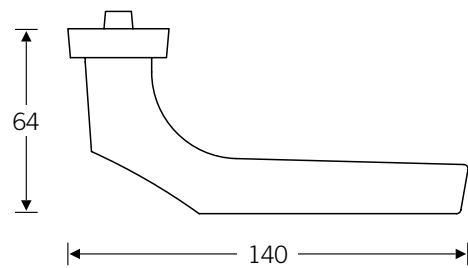


Illustration inner backplate

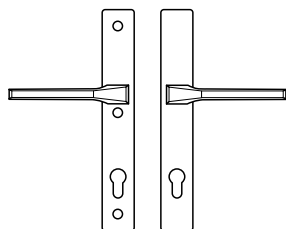
Order details:

spindle thickness: 8 or 10 mm
door thickness mm

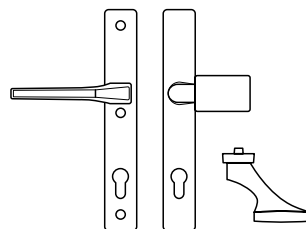
Size A spacing 72 mm PZ
Size A spacing 92 mm PZ

7

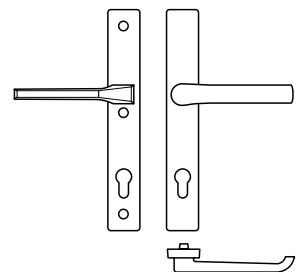
Item nos.:



Lever handle furniture
7820 01



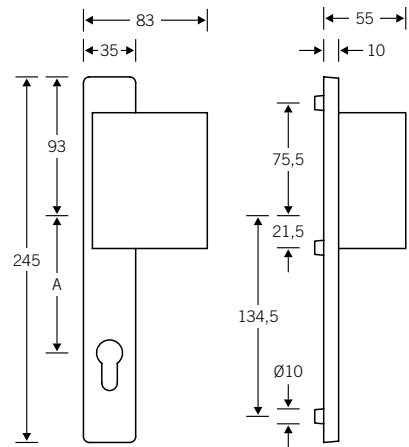
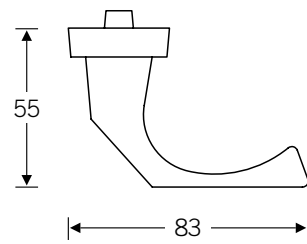
Entrance door furniture
7820 13



Balcony door furniture
7820 02

Lever handle furniture for framed doors
 fixed on an angular backplate
 concealed fixing on one side

7820 03
 Aluminium



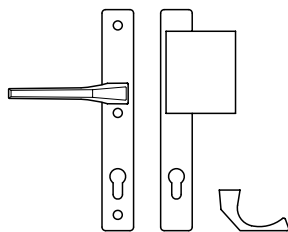
Order details:

spindle thickness: 8 or 10 mm
 door thickness mm

Size A spacing 72 mm PZ
 Size A spacing 92 mm PZ

7

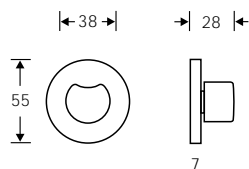
Item no.:



7820 03

Turnable knobs

for multi-point locks

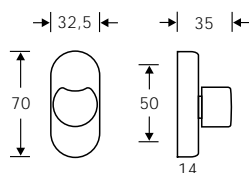


0418 02

Aluminium
Stainless steel

8 mm

Spindle projecting
standard 40 mm



0418 03

Aluminium
Stainless steel

8 mm

Spindle projecting
standard 40 mm

7

For deployment on multi-point locks, FSB supplies an easy-action turnable knob on a circular or oval rose for concealed face fixing.